

Mega pump

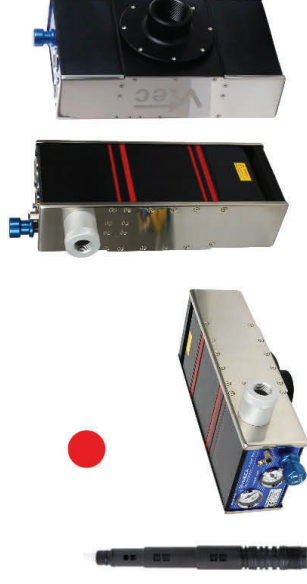
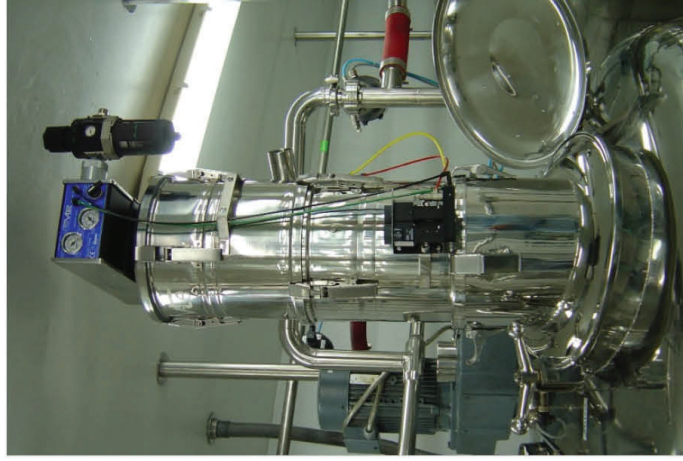
Features and Strengths

Highly operational reliability despite fluctuating or low compressed-air pressure
The largest compressed-air driven vacuum pump with comparatively compact and light weight

Advantages

Excellent performance in application that the large vacuum flow is needed such as replacement with Motor pump or conveyor system
Reliable and stable operation - High vacuum level and vacuum flow in efficient air consumption
Optional Air-saving kit (AS-KIT) to minimize energy consumption

Application



Overall of specification

Model	Max. Vacuum level (- kPa)	Max. Feed Pressure (bar)	Max. Vacuum Flow (NI/m)	Air Consumption (NI/m)
ML200	92	7	2410	600 ~ 780
ML400	92	7	4820	1200 ~ 1680
ML600	92	7	7230	1800 ~ 2520
ML800	92	7	9640	2400 ~ 3360
ML1000	92	7	12050	3000 ~ 4140
ML1200	92	7	14460	3600 ~ 4920
VCML100	92	7	1364	608
VCML200	92	7	2728	1072
VCML400	92	7	5456	2144
VCML100L	75	7	1448	416
VCML200L	75	7	2896	832
VCML400L	75	7	5792	1664

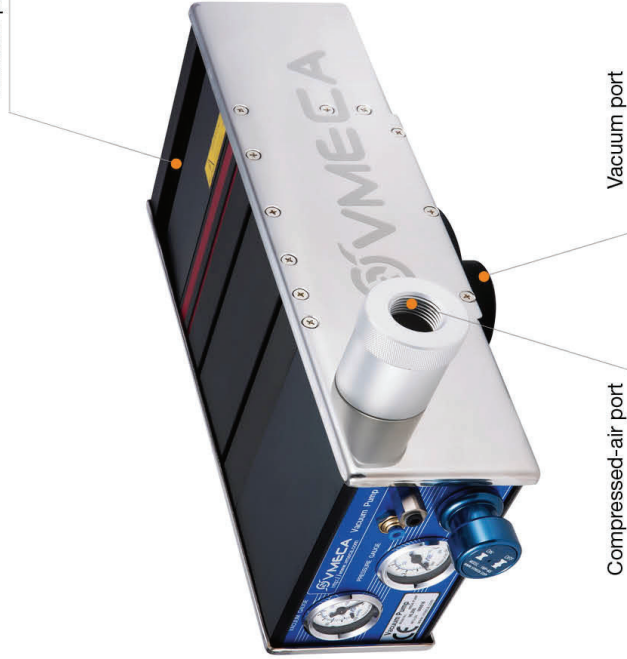
Mega pump

VMECA Mega pump is the biggest vacuum pump in the range to be used in large vacuum flow needed vacuum conveyor or replacement with large motor pump.
With air saving kit, air consumption can be dramatically reduced while covering the application which needs high vacuum flow.



- VMECA vacuum cartridge integrated
- High vacuum flow to replace up to 12kw motor pump
- Energy save by air saving kit

Exhaust port



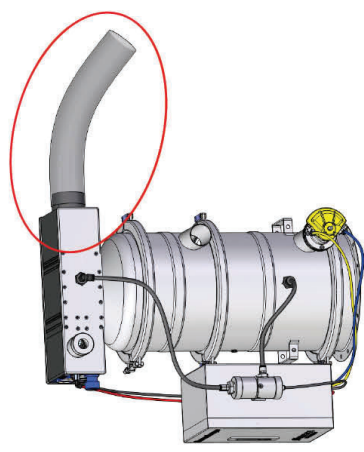
Compressed-air port

Vacuum port

External Exhaust Port

Basically, external exhaust port is used in the purpose to prevent exhaust air for elaborate work or which is clean room such as semicon, food, and chemical application, etc.

With VMECA conveyor system, an external exhaust port is used when the particles are too small for the filter to catch. When this happens, the small particles will exit through the exhaust port. For this reason the external exhaust port has been created to either recycle the particles back into the conveyor system or dump it in a container.



Example

