

## VBF Series (Bellows & Flat)

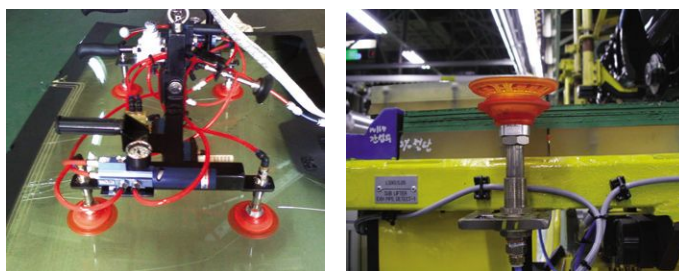
### Features and Strengths

- Enhancing the adhesion to the surface
- Good lifting force can be achieved with this cup in the vertical plane
- Prevent transformation when lifting metal thin plate



### Suitable for Handling

- Veneer sheets
- Sheet metal
- Automotive panels and door
- Plywood
- Glass



## Order No.

**VBF100 PU F - 12F - [ ] - L 1230 - BJ12**

①
②
③
④
⑤
⑥
⑦

► See pages 27, 60-67.

#### ① Diameter

VBF25	- Ø25
VBF30	- Ø32
VBF40	- Ø42
VBF50	- Ø51
VBF60	- Ø64
VBF80	- Ø84
• VBF100	- Ø103

#### ② Material

- **PU** - Poly Urethane
- WPU - White Poly urethane

#### ③ Filter

- No Mark - Standard
- **F** - With Filter(PE)

\* Available only VBF 60, 80, 100

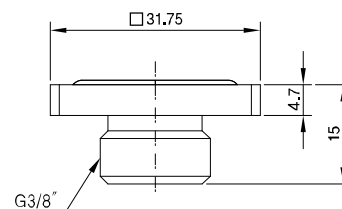
#### ④ Thread Size

18F	- G1/8" female (VBF 25,30,40,50,60,80,100)
14F	- G1/4" female (VBF 25,30,40,50,60,80,100)
38F	- G3/8" female (VBF 25,30,40,50,60,80,100)
• 12F	- G1/2" female (VBF 60,80,100)
14M	- G1/4" male (VBF 25,30,40,50,60,80,100)
M10M	- M10xP1,5 male (VBF 25,30,40,50,60,80)

#### ⑤ Quick Mount Adaptor

- No Mark - Standard
- **QA** - Quick Mount Adaptor\*\*

\*\*Only for G3/8" female and level compensator is not available



## Accessories

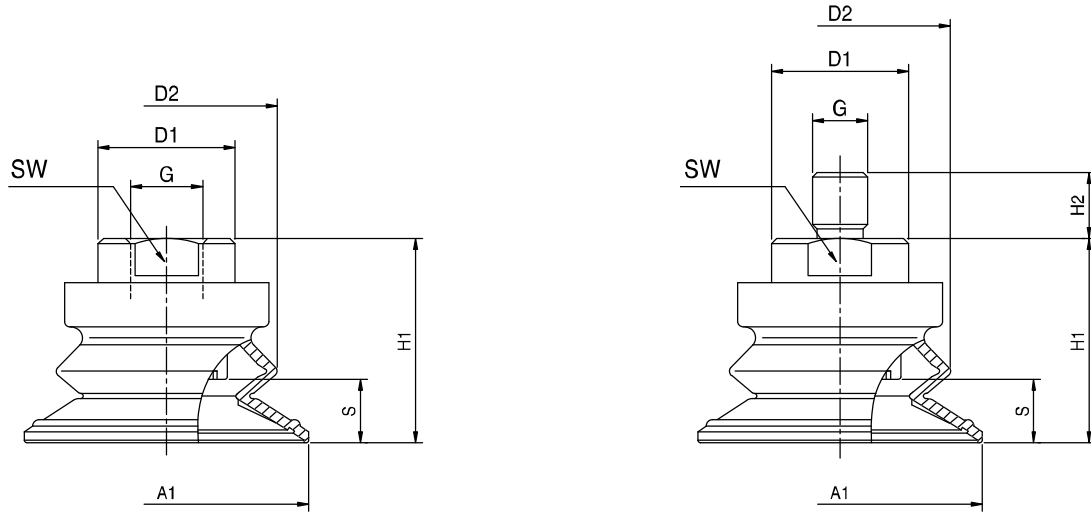
⑥ Level Compensator		⑦ Ball Joint
Level Compensator	Stroke (mm)	Ball Joint
L1805F, L1805M	5	BJ 18
L1810T, L1810TS, L1810TSE, L1810TS-M10F	10	
L1815T, L1815	15	
L1820T, L1820TS	20	
L1830, L1830T, L1830TS	30	
L1850, L1850T	50	
L1820TN (Non-rotate)*	20	
L1230, L1230T	30	BJ 12
L1250, L1250T	50	

\*Not available with Ball Joint(BJ).

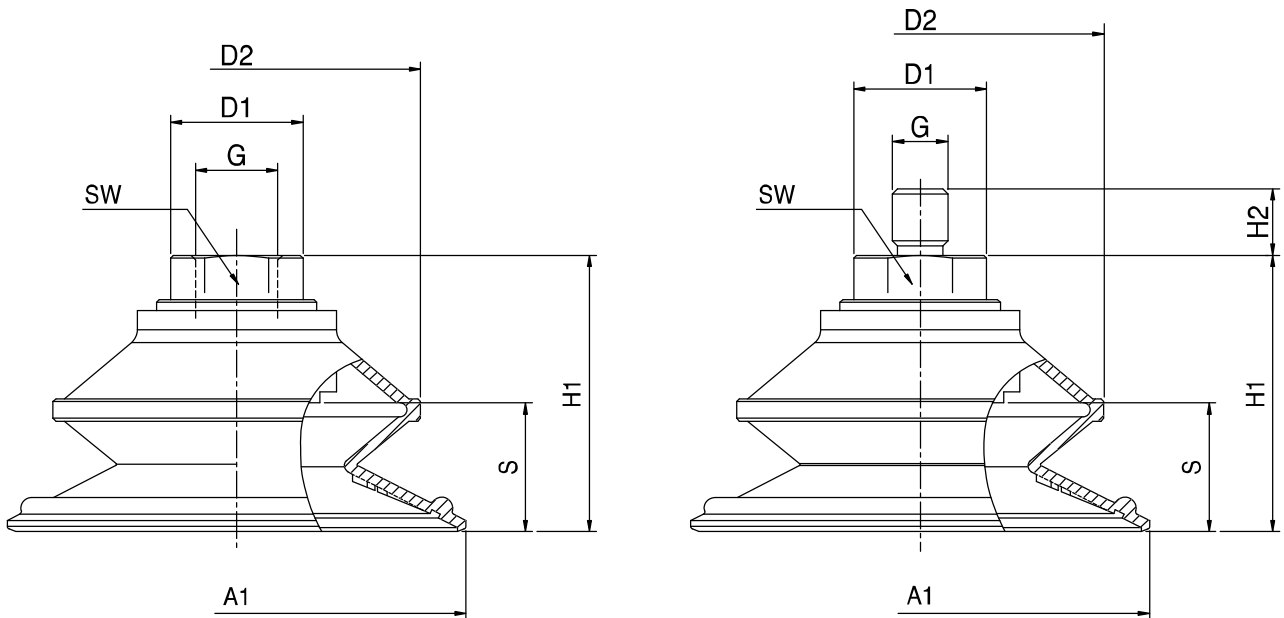
## Recommended (max.) lifting force.

Model	Volume (cm <sup>3</sup> )	Perpendicular Lifting Force (kg) at Vacuum level			Parallel Lifting Force (kg) at Vacuum level		
		-20 kPa	-60 kPa	-90 kPa	-20 kPa	-60 kPa	-90 kPa
VBF 25PU	2,6	1,1	3,2	3,8	0,61	1,37	1,89
VBF 30PU	6	1,77	6,26	9,48	0,86	3,09	7,75
VBF 40PU	7,2	2,5	9,66	12,8	1,18	6,5	11,3
VBF 50PU	11	4,18	13,2	16,28	2,09	9,6	14,7
VBF 60PU	22	8,94	16,26	18,54	6,84	12,84	16,92
VBF 80PU	59,5	11,92	21,68	24,72	9,12	17,12	22,56
VBF 100PU	103,5	14,9	27,1	30,9	11,4	21,4	28,2

## Dimensional information



▲ VBF 25PU, VBF 30PU, VBF 40PU, VBF 50PU



▲ VBF 60 PU, VBF 80PU, VBF 100PU

## Dimensional information

[ Measure unit : mm ]

Model	A1	G	H1	H2	SW	S	D1	D2
VBF25PU – 18F	25,5	G1/8"female	25	-	17	6,1	19,5	26,5
VBF25PU – 14F		G1/4"female	25	-	17		19,5	
VBF25PU – 38F		G3/8"female	41	-	17		19,5	
VBF25PU – 14M		G1/4"male	25	10	17		19,5	
VBF25PU – M10M		M10xP1.5 male	25	12	17		19,5	
VBF30PU – 18F	32	G1/8"female	28	-	17	7	19,8	32
VBF30PU – 14F		G1/4"female	28	-	17		19,8	
VBF30PU – 38F		G3/8"female	44	-	17		-	
VBF30PU – 14M		G1/4"male	28	10	17		19,8	
VBF30PU – M10M		M10xP1.5 male	28	12	17		19,8	
VBF40PU – 18F	42	G1/8"female	29	-	17	9	19,8	32
VBF40PU – 14F		G1/4"female	29	-	17		19,8	
VBF40PU – 38F		G3/8"female	45	-	17		-	
VBF40PU – 14M		G1/4"male	29	10	17		19,8	
VBF40PU – M10M		M10xP1.5 male	29	12	17		19,8	
VBF50PU – 18F	51,5	G1/8"female	37	-	22	11,5	24,8	40
VBF50PU – 14F		G1/4"female	37	-	22		24,8	
VBF50PU – 38F		G3/8"female	37	-	22		24,8	
VBF50PU – 14M		G1/4"male	37	10	22		24,8	
VBF50PU – M10M		M10xP1.5 male	37	12	22		24,8	
VBF60PU – 18F	64	G1/8"female	41,5	-	21	15	24	50
VBF60PU – 14F		G1/4"female	41,5	-	21		24	
VBF60PU – 38F		G3/8"female	41,5	-	21		24	
VBF60PU – 12F		G1/2"female	41,5	-	26		29	
VBF60PU – 14M		G1/4"male	41,5	10	21		24	
VBF60PU – M10M		M10xP1.5 male	41,5	12	21		24	
VBF80PU – 18F	84	G1/8"female	49,5	-	21	22,5	24	68
VBF80PU – 14F		G1/4"female	49,5	-	21		24	
VBF80PU – 38F		G3/8"female	49,5	-	21		24	
VBF80PU – 12F		G1/2"female	49,5	-	26		29	
VBF80PU – 14M		G1/4"male	49,5	10	21		24	
VBF80PU – M10M		M10xP1.5 male	49,5	12	21		24	
VBF100PU – 18F	103	G1/8" female	55	-	22	20,5	24	83
VBF100PU – 14F		G1/4" female	55	-	22		24	
VBF100PU – 38F		G3/8" female	55	-	22		24	
VBF100PU – 12F		G1/2" female	55	-	24		27	
VBF100PU – 14M		G1/4"male	55	10	22		24	